

Sink Quadra EVO Gun Metal

Kitchen Sinks

Code: 1255 056



DETAILS

Coloring Gun Metal

Edge/Installation Type Flush-mount | Top-mount

Finish Foster brushed

Finish PVD

Material AISI 304 stainless steel

Texture Brushed in line

Base 60 cm

Dimensions 570 x 470 mm

Standard fittings Fixing hooks, gasket, drain, overflow and siphon, boxed packing

Mixer holes No standard holes

Built-in hole View technical data sheet

Drainer No

Width 57 cm

Bowl dimension 530 x 430 mm

Number of bowls 1 bowl

Waste fitting 3,5" drain

EQUIPMENT

1 x Black Grid 8100 615

FEATURES

Basket 3,5" waste fitting The drain is equipped with a large 3.5" drain, with the practical basket cap that prevents the discharge of solid parts.

Deep bowls This bowls reach an important depth, over 20 cm, thanks to the advanced production technology, that can be offer great capieny and practicity in all the washing operations.

High thickness 1mm thick steel. A significant thickness, which guarantees the maximum sturdiness and durability.

MOULDED BOTTOM The moulded bottom guarantees perfect water flow and facilitates cleaning operations thanks to the perimeter step with sloping walls.

Perimetral overflow

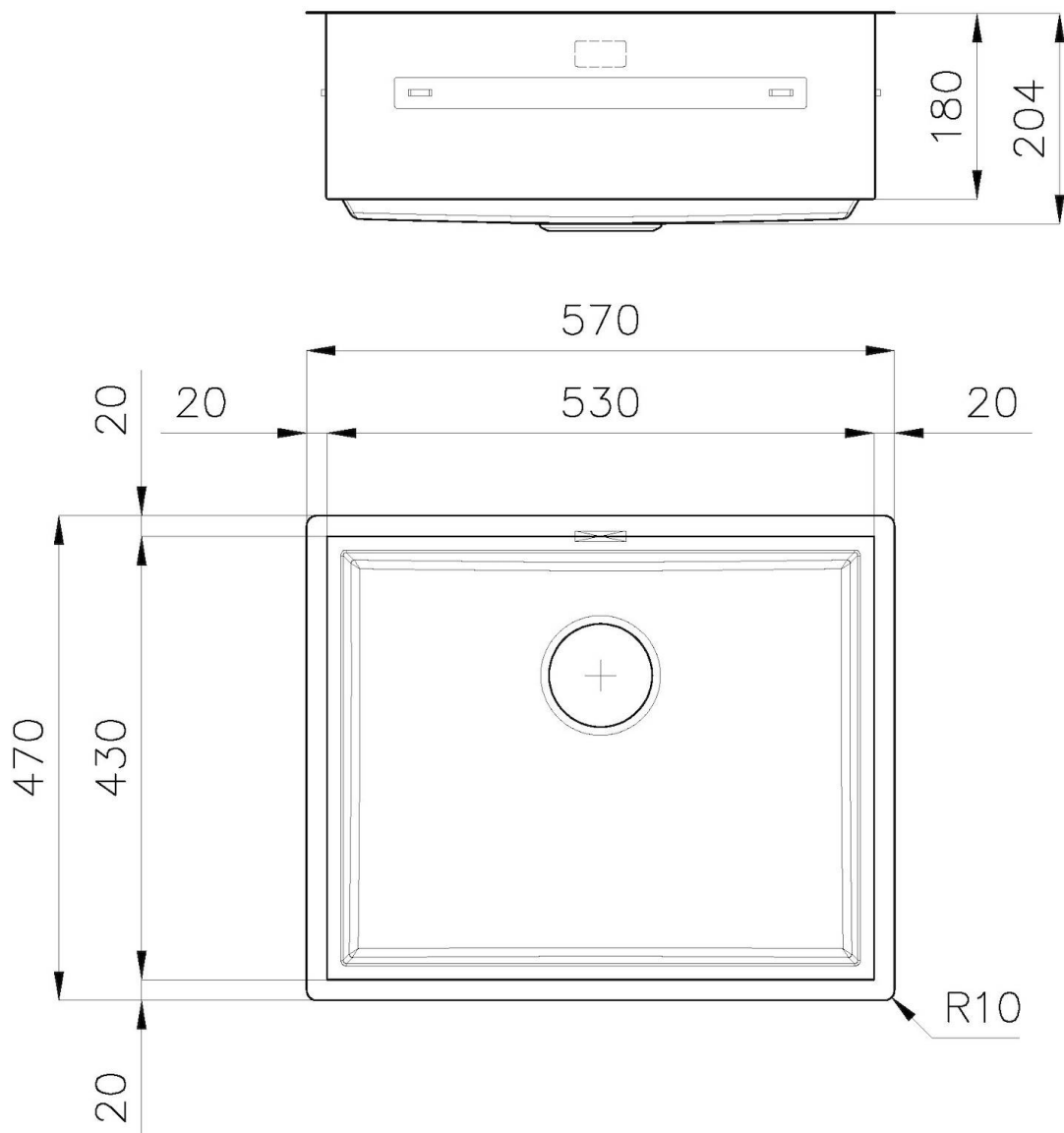
The overflow is always a security on the Foster sinks that prevents the overflow of water in case of oversights. The perimeter drain solution improves aesthetics thanks to its square and essential shape.

Squared bowls - 0 radius

The square bowls of Foster have perfectly squared vertical edges.

TECHNICAL DATA

1255/05-



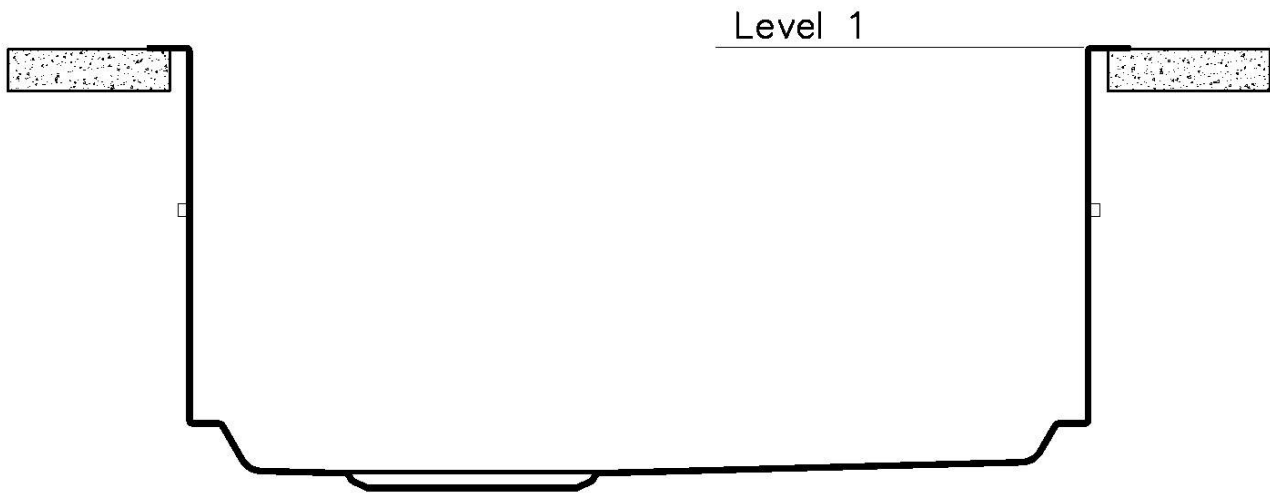
QUADRA EVO **Optional accessories / Accessori opzionali** **FILOTOP / FLUSHMOUNT**

LEVEL 1:

8100 615

8100 614

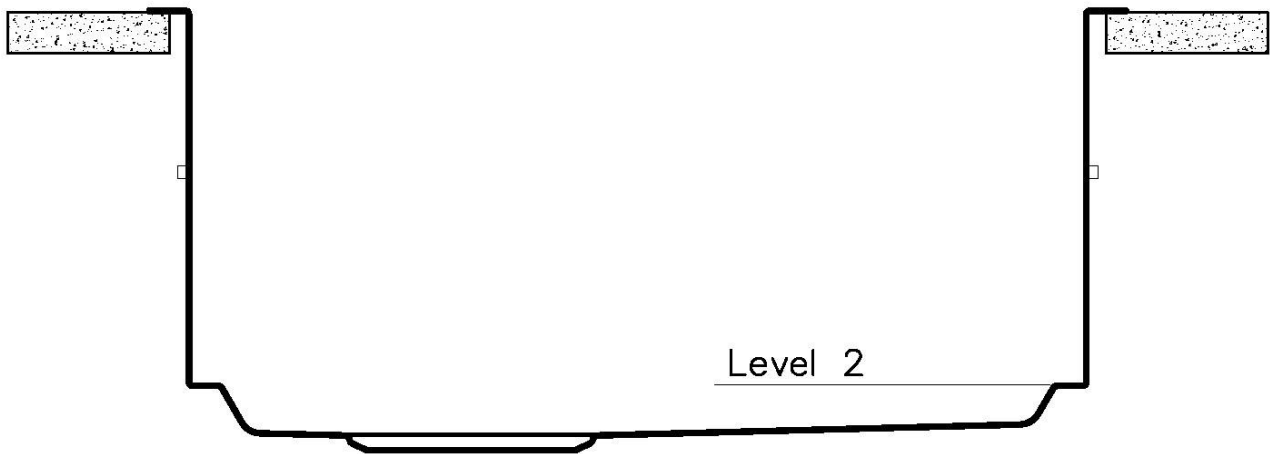
8100 037



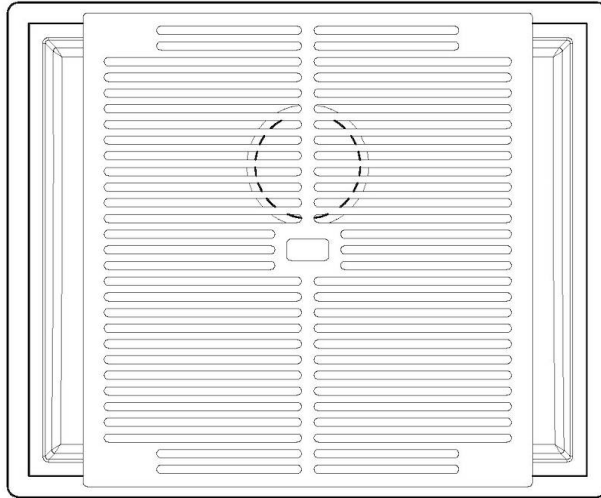
QUADRA EVO
Optional accessories / Accessori opzionali
FILOTOP / FLUSHMOUNT

LEVEL 2:

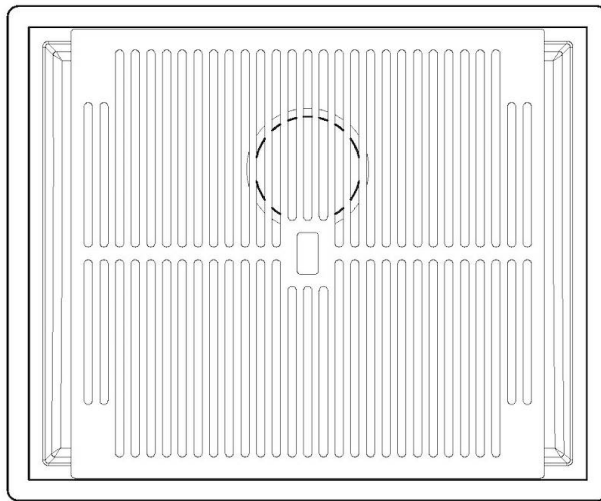
8100 615



1255/05-

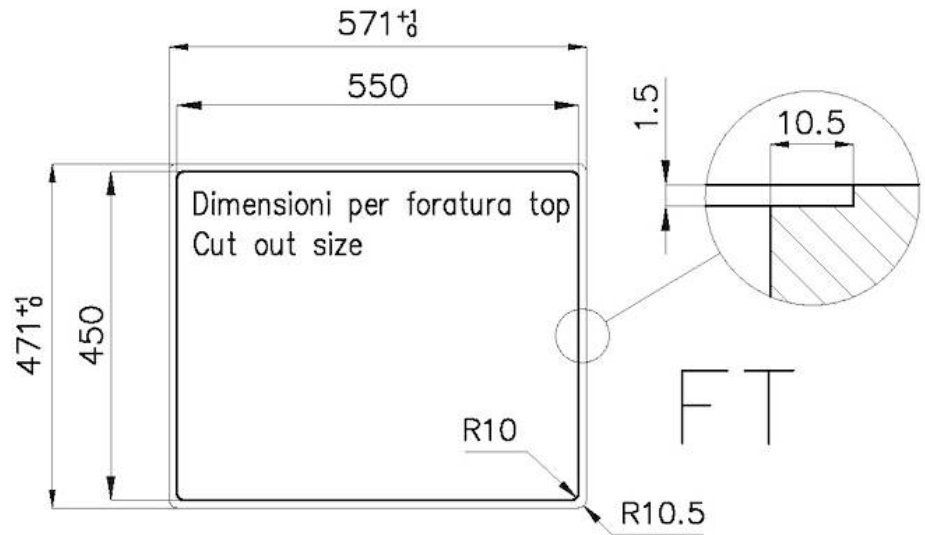


GRIGLIA POSIZIONATA A FILO VASCA / GRID EDGE POSITIONING

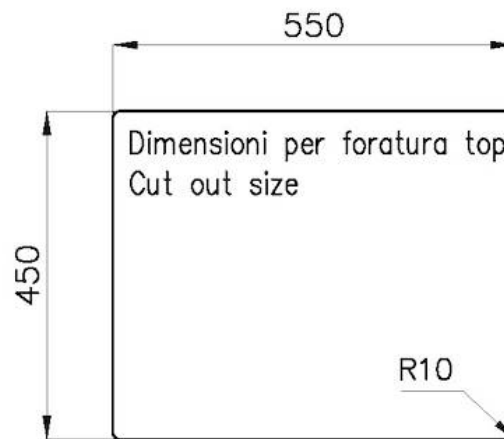
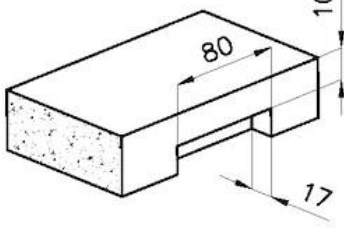


GRIGLIA POSIZIONATA SUL FONDO / GRID BOTTOP POSITIONING

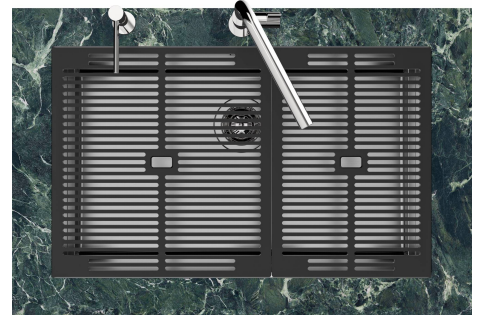
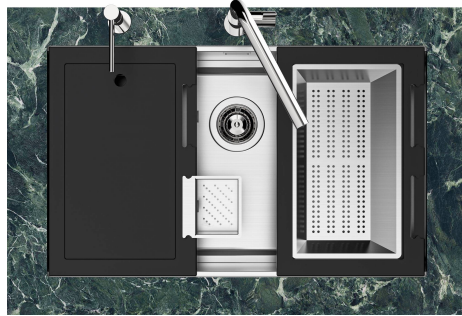
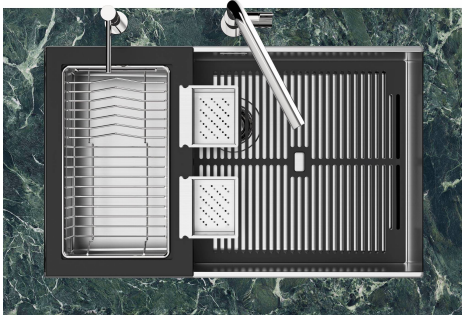
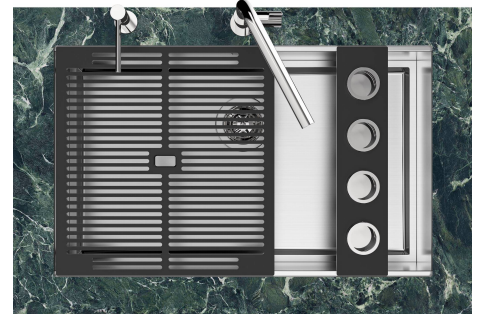
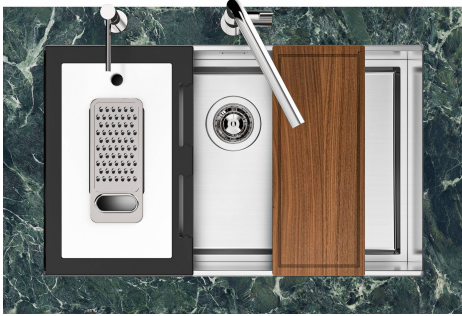
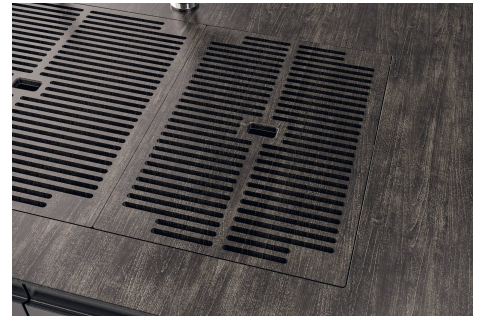
1255/05-



intaglio per il troppo-pieno
solo con top > 10 mm
recess for housing the over-flow
only for top > 10 mm



GALLERY

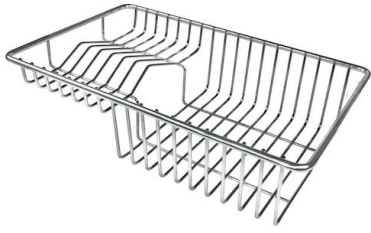


EQUIPMENT



Black grid
8100 615

OPTIONAL ACCESSORIES



Stainless steel plate rack
8100 303



White bowl
8153 100



Stainless steel perforated tray
8151 001



**Graters kit with ring-holder and
food collection tray**
8159 101



Kit Black
8100 037



Stainless steel perforated tray
8151 000



**Stainless steel perforated tray PVD
Copper**
8151 008



**Stainless steel perforated tray PVD
Gold**
8151 009



**Stainless steel perforated tray PVD
Gun Metal**
8151 006

OPTIONAL AUTOMATIC WASTE FITTINGS



**Gun Metal automatic waste fitting -
PG**

8407 110



**Space Push Gun Metal automatic
waste fitting - PO**

8407 120